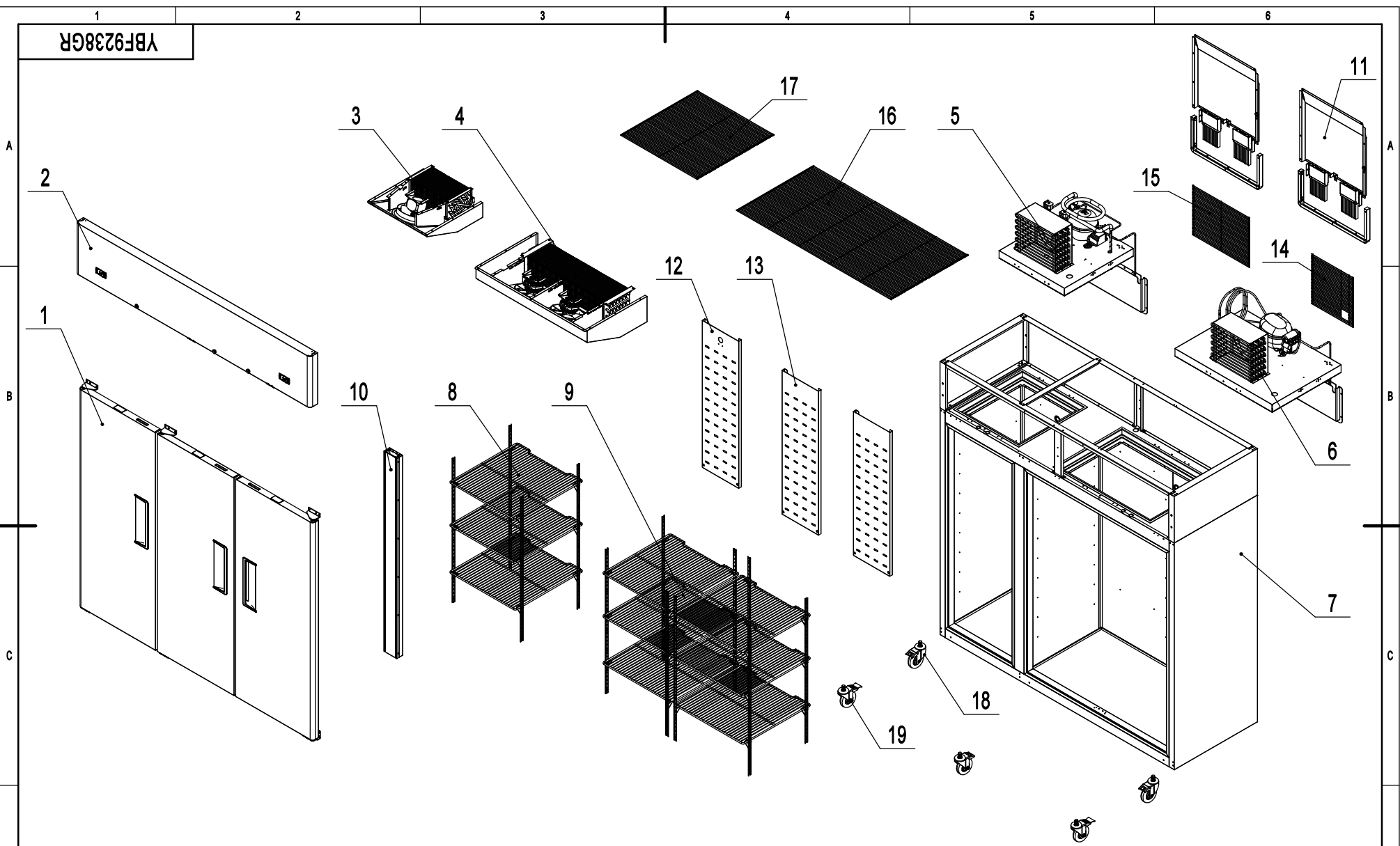


YBF9238GR



| | | | | | | | | | | | | | | | | | |
|----|--------------|----------------------------|-----------------|--------|----|--------------|----------------------------|----------------------|--------|---|---|----------|-----------------------|--------------|--------------|----------|----------|
| 19 | B0604421 | 4" Castor With Brake | 4吋带刹李重磅万向轮[剥定向] | 2 | 12 | 92301026-430 | Back wind deflector | 后背导风板 | SUS430 | 1 | | | | | | | |
| 18 | B0604413 | 4" Castor Without Brake | 4吋重磅万向轮(脚轮) | 3 | 11 | 92280108 | Water evaporation assembly | 水蒸发组件 | | 2 | 5 | 92380104 | F Comp&Cond Assembly | 冷冻冷凝组件 | | 1 | |
| 17 | W0402691 | At the top of the net | 箱体顶部保护网 | 1 | 10 | 92380107 | Mullion Assembly | 中梁组件 | | 1 | 4 | 92380203 | R Evaporator Assembly | 冷藏蒸发组件 | | 1 | |
| 16 | W0402693 | At the top of the net | 箱体顶部保护网 | 1 | 9 | 92380206 | Shelf Assembly | 食品架组件 | | 1 | 3 | 92380103 | F Evaporator Assembly | 冷冻蒸发组件 | | 1 | |
| 15 | W0402697 | The back middle of the net | 箱体后背保护网中 | 1 | 8 | 92380106 | Shelf Assembly | 食品架组件 | | 1 | 2 | 92380102 | Top Panel Assembly | 前罩组件 | | 1 | |
| 14 | W0402694-1 | The back left of the net | 箱体后背保护网左 | 1 | 7 | 92380105 | Cabinet Assembly | 箱体组件 | | 1 | 1 | 92380101 | Soild Door Assembly | 门体组件 | | 1 | |
| 13 | 92101026-430 | Back wind deflector | 后背导风板 | SUS430 | 2 | 6 | 92380204 | R Comp&Cond Assembly | 冷藏冷凝组件 | | 1 | 序号 | Material code | English Name | Chinese Name | MATERIAL | QUANTITY |

1

2

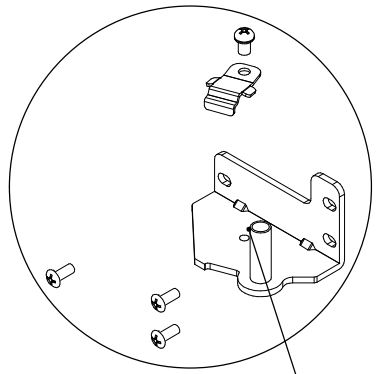
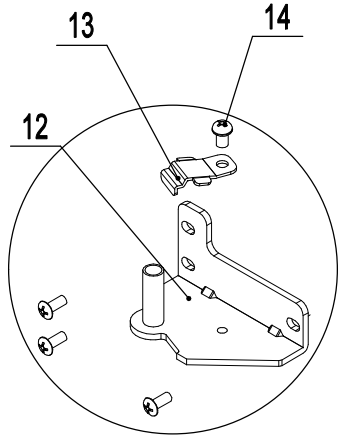
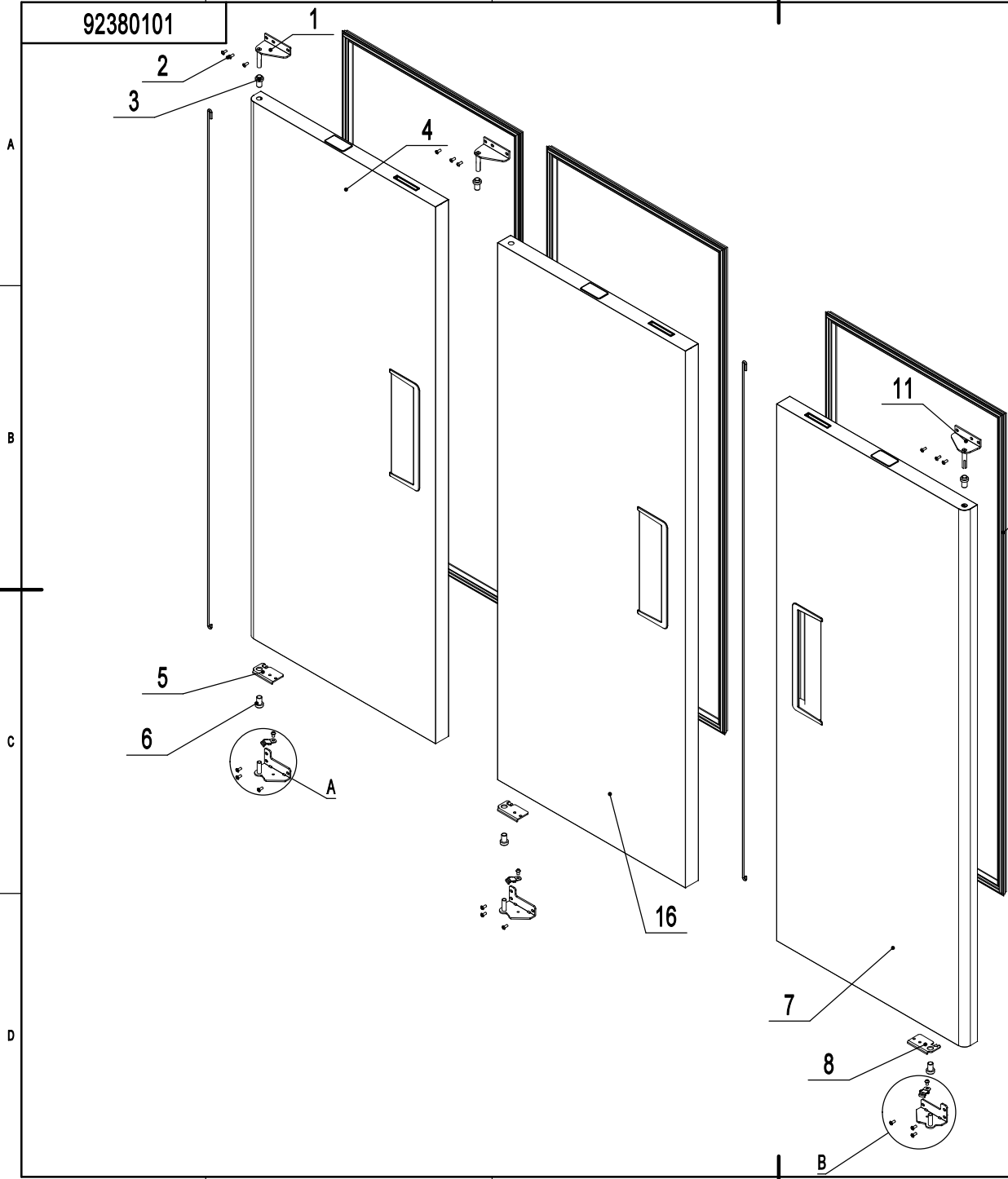
3

4

5

6

92380101



局部放大图A

局部放大图B

| | | | | | | |
|----|----------|--------------------------|------------|--------|----|--|
| 16 | 92331321 | Middle Door | 中门体 | | 1 | |
| 15 | W0604037 | Right-Bottom Hinge | 右下铰链 | SUS304 | 1 | |
| 14 | B0507015 | SS Screw M6x8 | M6x8不锈钢螺丝 | | 3 | |
| 13 | W0604038 | Door Brake-Bottom | 门自锁装置-下 | SUS304 | 3 | |
| 12 | W0604036 | Left-Bottom Hinge | 左下铰链 | SUS304 | 2 | |
| 11 | W0604033 | Right-Top Hinge | 右上铰链 | SUS304 | 1 | |
| 10 | W0404904 | Door Gasket | 门封条 | | 3 | |
| 9 | W0604944 | Door Spring Bar | 门体发条 | | 3 | |
| 8 | W0604030 | Door Brake -Right | 门自锁装置-右 | SUS304 | 1 | |
| 7 | 92181324 | Right Door | 右门体 | | 1 | |
| 6 | W0409843 | Door Shaft Sleeve-Bottom | 门体轴套 | PA66 | 3 | |
| 5 | W0604031 | Door Brake -Left | 门自锁装置-左 | SUS304 | 1 | |
| 4 | 92181325 | Left Door | 左门体 | | 1 | |
| 3 | W0409842 | Door Shaft Sleeve-Top | 门体轴套 | PA66 | 3 | |
| 2 | B0502207 | SS Screw M5x12 | M5x12不锈钢螺丝 | | 18 | |
| 1 | W0604032 | Left-Top Hinge | 左上铰链 | SUS304 | 2 | |

| 序号 | Material code | English Name | Chinese Name | MATERIAL | QUANTITY | Remark |
|----|---------------|--------------|--------------|----------|----------|--------|
|----|---------------|--------------|--------------|----------|----------|--------|

92380102

A
B
C
D

A
B
C
D

3

1

2

7

6

5

4

| | | | | | | | | | | |
|---|----------|------------------------|---------------------|--------------------|--------------|----------|----------|--------|--|--|
| 7 | W0409161 | Gate Magnetic Switch | 门磁开关组件 | | 3 | | | | | |
| 6 | 80021404 | Fastener For Top Panel | 上单板加固件 | SUS430 | 2 | | | | | |
| 5 | W0302303 | Controller Cover | 防水后盖 | | 2 | | | | | |
| | 4 | W0302168-CRAA8D10 | Digital Controller | 双点电子温控器 (门磁开关程序) | 1 | 220V | | | | |
| | 3 | W0302168-CF0G4D10 | Digital Controller | 三点电子温控器 (热气门磁开关程序) | 1 | 220V | | | | |
| | 2 | W0604007 | Lock | 冰箱锁 | 3 | | | | | |
| | 1 | 92321411-430 | FRONT TOP PANEL-TOP | 整体前单板 (双温) | 1 | | SUS430 | | | |
| | | 序号 | Material code | English Name | Chinese Name | MATERIAL | QUANTITY | Remark | | |

1

2

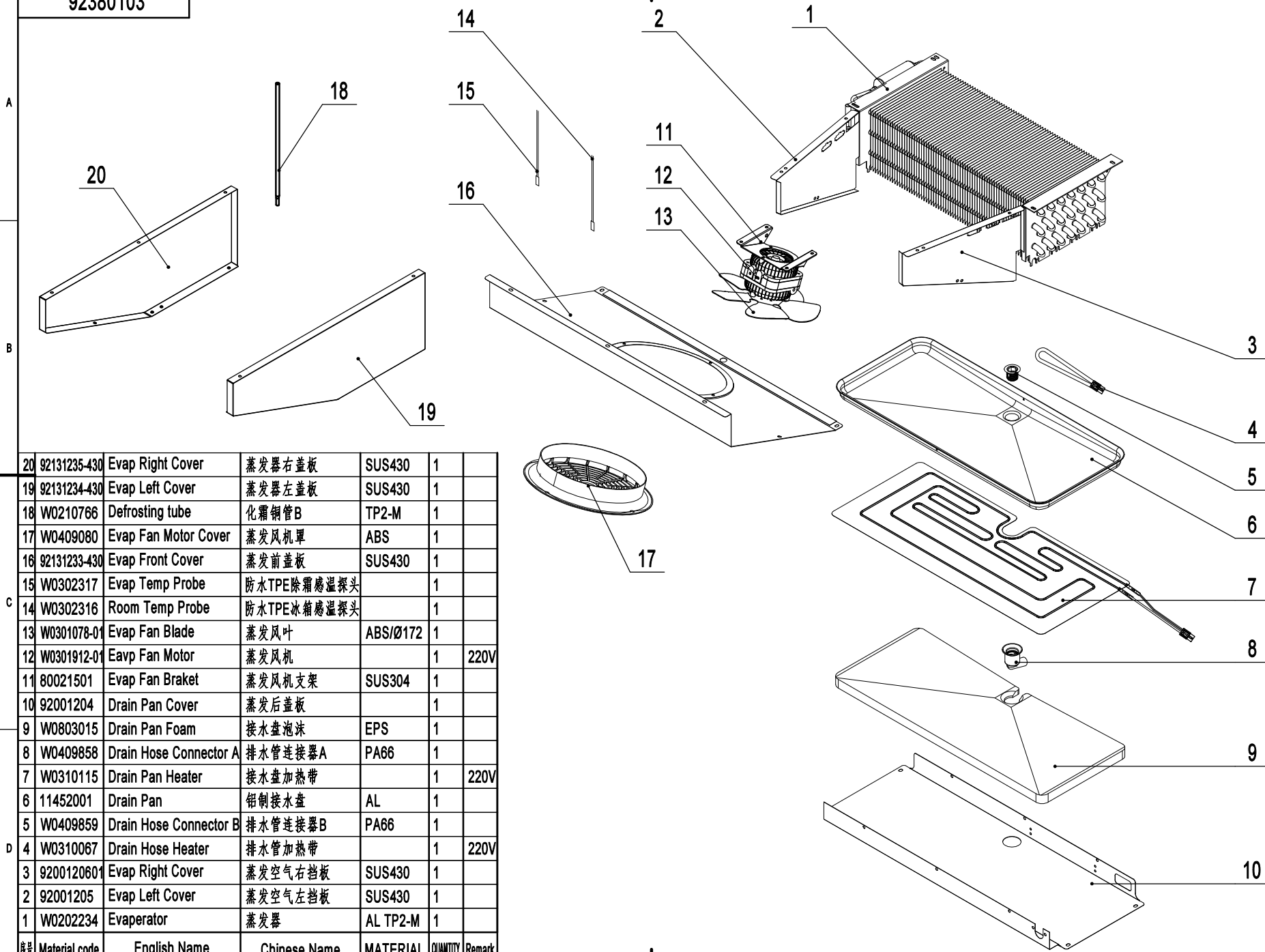
3

4

5

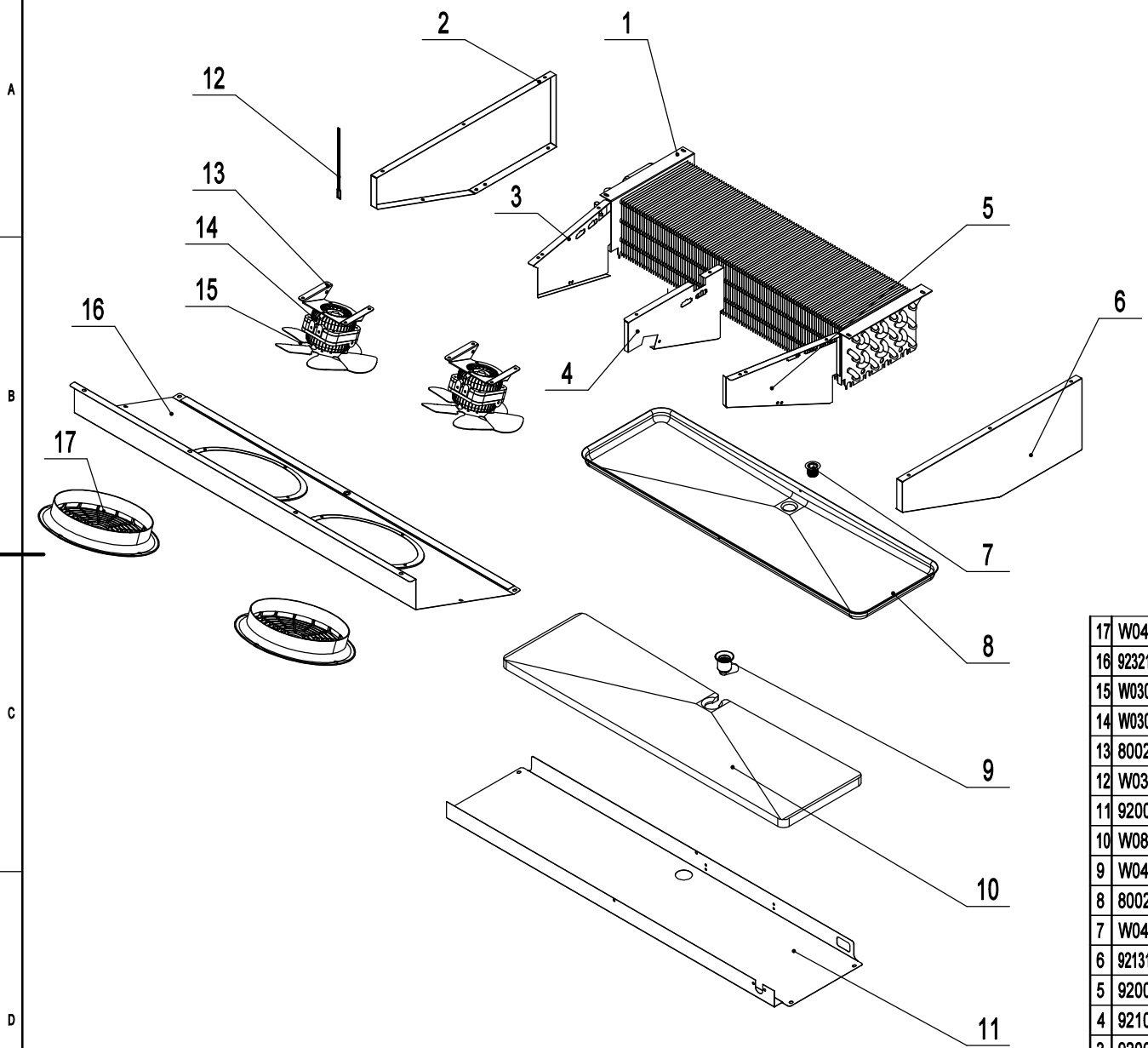
6

92380103



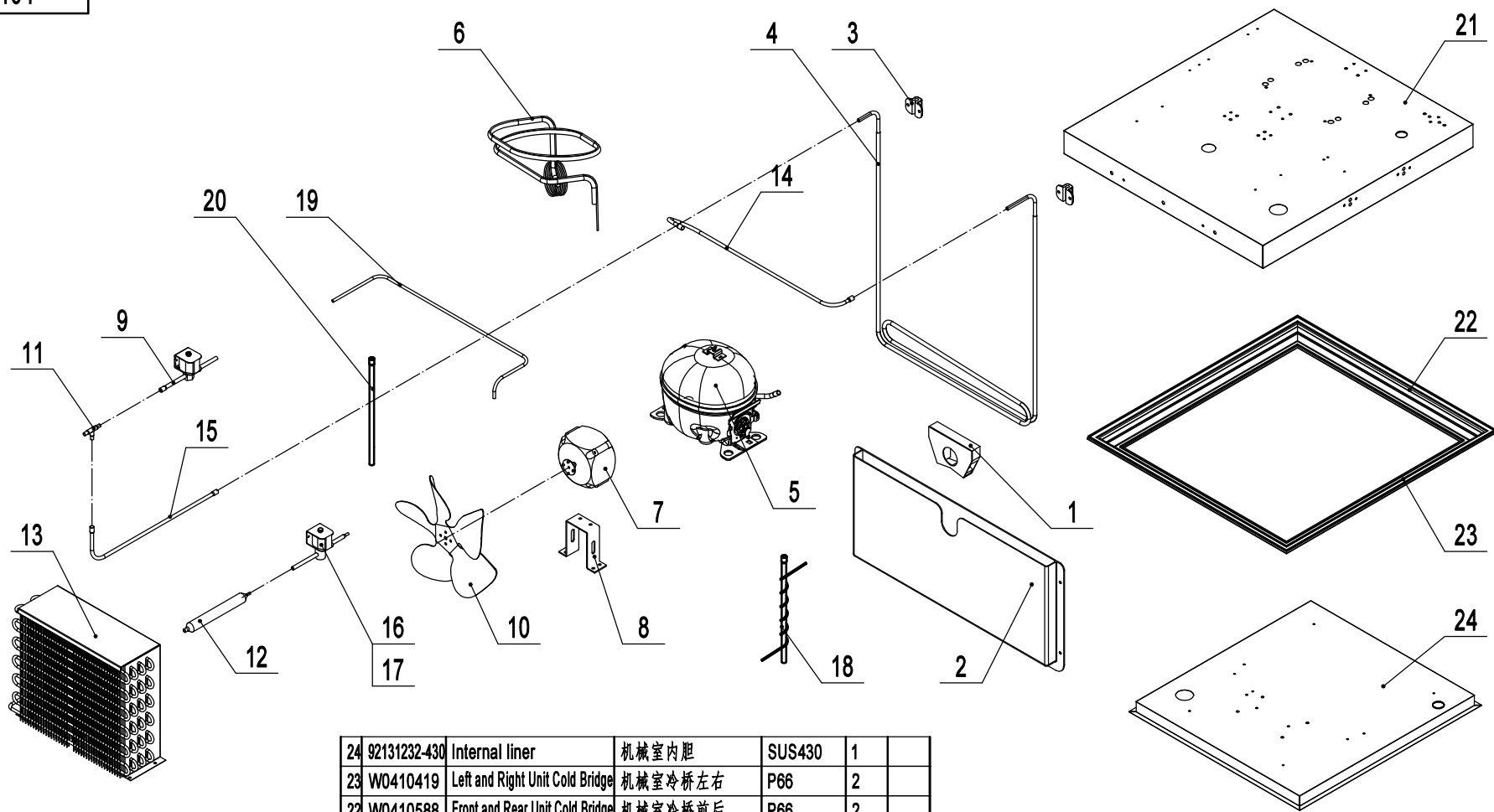
| | | | | | | |
|----|---------------|------------------------|--------------|----------|----------|--------|
| 20 | 92131235-430 | Evap Right Cover | 蒸发器右盖板 | SUS430 | 1 | |
| 19 | 92131234-430 | Evap Left Cover | 蒸发器左盖板 | SUS430 | 1 | |
| 18 | W0210766 | Defrosting tube | 化霜铜管B | TP2-M | 1 | |
| 17 | W0409080 | Evap Fan Motor Cover | 蒸发风机罩 | ABS | 1 | |
| 16 | 92131233-430 | Evap Front Cover | 蒸发前盖板 | SUS430 | 1 | |
| 15 | W0302317 | Evap Temp Probe | 防水TPE除霜感温探头 | | 1 | |
| 14 | W0302316 | Room Temp Probe | 防水TPE冰箱感温探头 | | 1 | |
| 13 | W0301078-01 | Evap Fan Blade | 蒸发风叶 | ABS/Ø172 | 1 | |
| 12 | W0301912-01 | Evap Fan Motor | 蒸发风机 | | 1 | 220V |
| 11 | 80021501 | Evap Fan Bracket | 蒸发风机支架 | SUS304 | 1 | |
| 10 | 92001204 | Drain Pan Cover | 蒸发后盖板 | | 1 | |
| 9 | W0803015 | Drain Pan Foam | 接水盘泡沫 | EPS | 1 | |
| 8 | W0409858 | Drain Hose Connector A | 排水管连接器A | PA66 | 1 | |
| 7 | W0310115 | Drain Pan Heater | 接水盘加热带 | | 1 | 220V |
| 6 | 11452001 | Drain Pan | 铝制接水盘 | AL | 1 | |
| 5 | W0409859 | Drain Hose Connector B | 排水管连接器B | PA66 | 1 | |
| 4 | W0310067 | Drain Hose Heater | 排水管加热带 | | 1 | 220V |
| 3 | 9200120601 | Evap Right Cover | 蒸发空气右挡板 | SUS430 | 1 | |
| 2 | 92001205 | Evap Left Cover | 蒸发空气左挡板 | SUS430 | 1 | |
| 1 | W0202234 | Evaporator | 蒸发器 | AL TP2-M | 1 | |
| 序号 | Material code | English Name | Chinese Name | MATERIAL | QUANTITY | Remark |

92380203



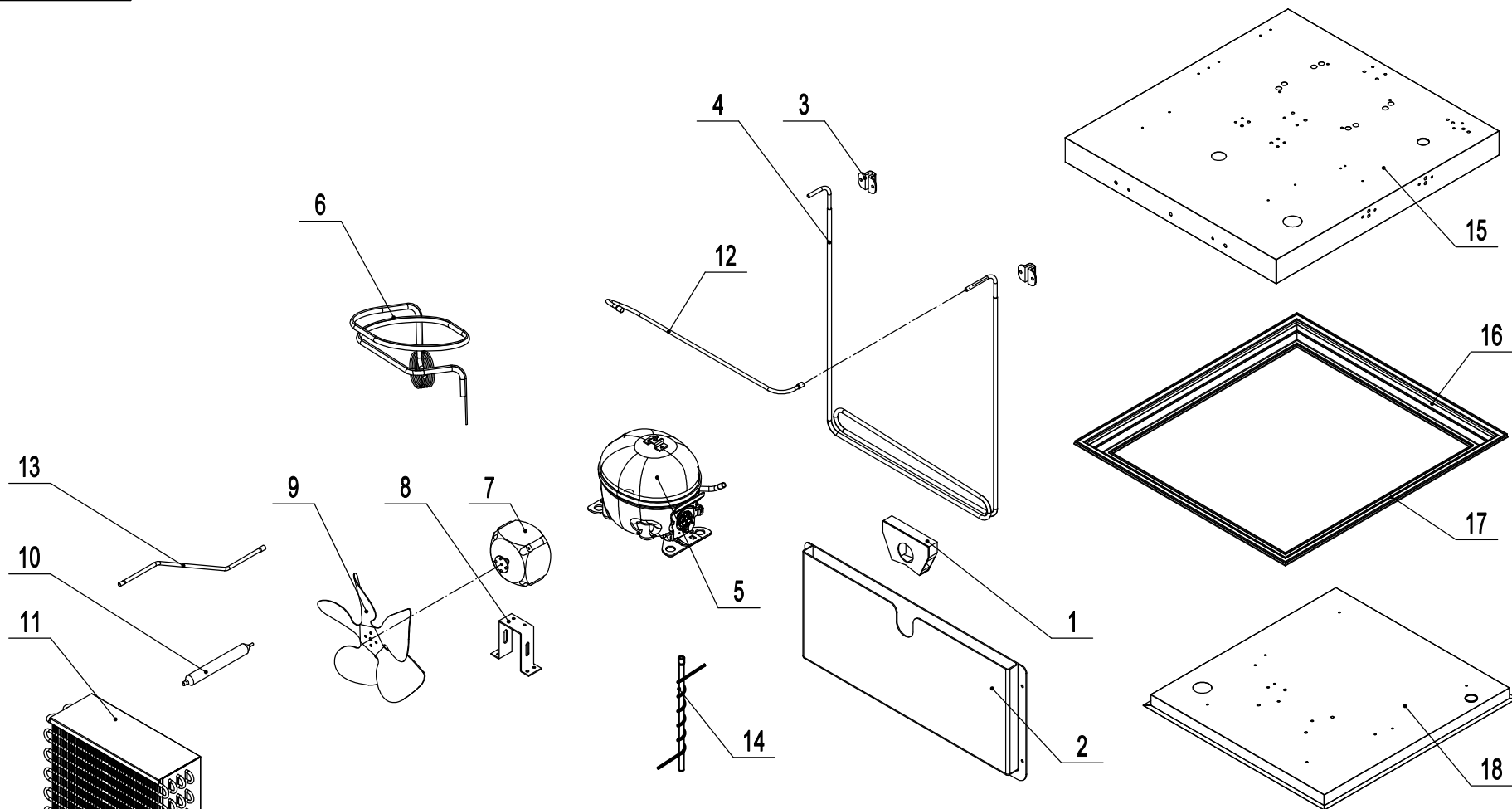
| | | | | | | |
|----|---------------|------------------------|--------------|----------|----------|--------|
| 17 | W0409080 | Evap Fan Motor Cover | 蒸发风机罩 | ABS | 2 | |
| 16 | 92321233-430 | Evap Front Cover | 蒸发前盖板 | SUS430 | 1 | |
| 15 | W0301078-01 | Evap Fan Blade | 蒸发风叶 | Ø172 | 2 | |
| 14 | W0301912-01 | Evap Fan Motor | 蒸发风机 | | 2 | 220V |
| 13 | 80021501 | Evap Fan Bracket | 蒸发风机支架 | SUS304 | 2 | |
| 12 | W0302316 | Room Temp Probe | 防水TPE冰箱感温探头 | | 1 | |
| 11 | 92001204 | Drain Pan Cover | 蒸发后盖板 | SUS430 | 1 | |
| 10 | W0803014 | Drain Pan Foam | 接水盘泡沫 | EPS | 1 | |
| 9 | W0409858 | Drain Hose Connector A | 排水管连接器A | PA66 | 1 | |
| 8 | 80022003 | Drain Pan | 铝制接水盘 | AL | 1 | |
| 7 | W0409859 | Drain Hose Connector B | 排水管连接器B | PA66 | 1 | |
| 6 | 92131235-430 | Evap Right Cover | 蒸发右挡板 | SUS430 | 1 | |
| 5 | 92001206 | Right Air Lane Cover | 蒸发空气右挡板 | SUS430 | 1 | |
| 4 | 92101207 | Middle Air Lane Cover | 蒸发空气中挡板 | SUS430 | 1 | |
| 3 | 92001205 | Left Air Lane Cover | 蒸发空气左挡板 | SUS430 | 1 | |
| 2 | 92131234-430 | Evap Left Cover | 蒸发左挡板 | SUS430 | 1 | |
| 1 | W0202118 | Evaporator | 蒸发器 | AL TP2-M | 1 | |
| 序号 | Material code | English Name | Chinese Name | MATERIAL | QUANTITY | Remark |

92380104



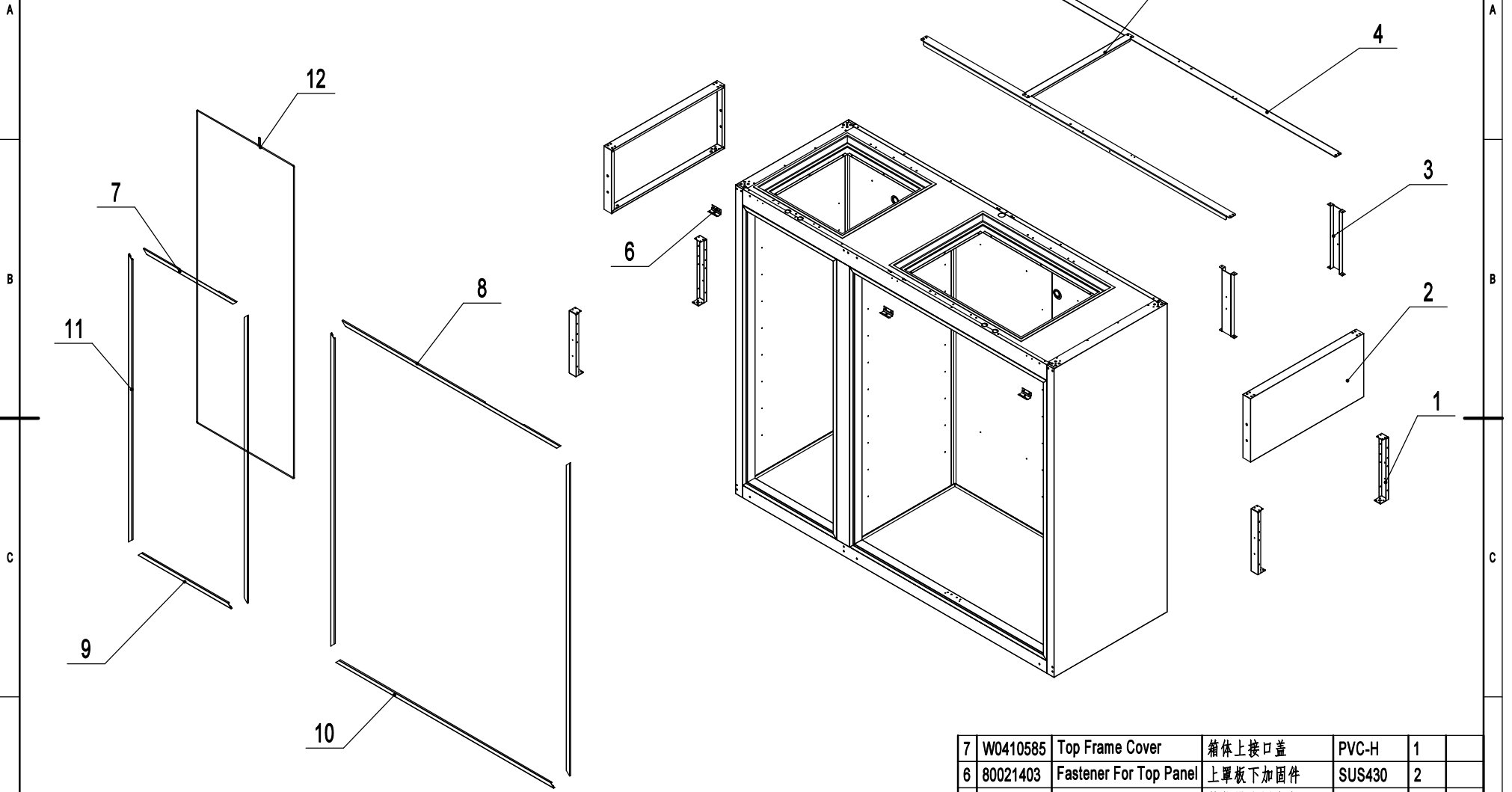
| | | | | | | | | | | | | | | |
|----|--------------|---------------------------------|--------------|----------|---|------|----|---------------|-------------------------------|--------------|------------|----------|--------|--|
| 24 | 92131232-430 | Internal liner | 机械室内胆 | SUS430 | 1 | | | | | | | | | |
| 23 | W0410419 | Left and Right Unit Cold Bridge | 机械室冷桥左右 | P66 | 2 | | | | | | | | | |
| 22 | W0410588 | Front and Rear Unit Cold Bridge | 机械室冷桥前后 | P66 | 2 | | | | | | | | | |
| 21 | 92131231 | Housing of the machine set | 机械室外壳 | | 1 | | | | | | | | | |
| 20 | W0210766 | Defrosting tube B | 化霜铜管B | TP2-M | 1 | | 9 | W0205027 | Solenoid valve body | 电磁阀阀体 | | 1 | | |
| 19 | W0210765 | Defrosting tube A | 化霜铜管A | TP2-M | 1 | | 8 | 80061601 | Condenser Fan Braket | 冷凝风机支架 | | 1 | | |
| 18 | W0210415 | Low Presure Coil Back to Comp | 回气管(B) | TP2-M | 1 | | 7 | W0301916 | Condenser Fan | 冷凝风机 | | 1 | 220V | |
| 17 | W0205031 | Solenoid valve body | 电磁阀阀体 | | 1 | | 6 | W0210767 | Low Presure Coil Back to Comp | 回气管(A) | TP2-M | 1 | | |
| 16 | W0205024 | Solenoid valve coil | 电磁阀线圈 | | 2 | 220V | 5 | W0201326 | Compressor | R290压缩机 | NUM90LA1 | 1 | 220V | |
| 15 | W0210773 | Connecting Coil to tee | 连接管(散热管-三通) | TP2-M | 1 | | 4 | W0210413 | High Presure Coil | 散热管 | TP2-M | 1 | | |
| 14 | W0210771 | Connecting Coil From Compressor | 连接管(压缩机-散热管) | TP2-M | 1 | | 3 | W0413062 | Rubber Fixing Block | 散热管固定垫 | RUBBER(橡胶) | 2 | | |
| 13 | W0203074 | Condenser | 冷凝器 | GI TP2-M | 1 | | 2 | W0409071 | Back High Presure Coil Pan | 后背蒸发包 | PP | 1 | | |
| 12 | W0204101 | Dry Filter | 干燥过滤器 | TP2-M | 1 | | 1 | W0409078 | Air pressure balance device | 后背蒸发包水封 | ABS | 1 | | |
| 11 | W0208017 | 'T' Three way connecting pipe | T型三通 | TP2-M | 1 | | | | | | | | | |
| 10 | W0301061 | Condenser Fan Blade | 冷凝风叶 | AL/Ø230 | 1 | | 序号 | Material code | English Name | Chinese Name | MATERIAL | QUANTITY | Remark | |

92380204



| | | | | | | | | | | | | |
|----|--------------|---------------------------------|--------------|----------|---|----|---------------|--------------------------------|--------------|------------|----------|--------|
| | | | | | | 9 | W0301061 | Condenser Fan Blade | 冷凝风叶 | AL/Ø230 | 1 | |
| | | | | | | 8 | 80061601 | Condenser Fan Bracket | 冷凝风机支架 | | 1 | |
| | | | | | | 7 | W0301916 | Condenser Fan | 冷凝风机 | | 1 | 220V |
| | | | | | | 6 | W0210461 | Low Pressure Coil Back to Comp | 回气管(A) | TP2-M | 1 | |
| | | | | | | 5 | W0201161 | Compressor | R600a压缩机 | | 1 | 220V |
| | | | | | | 4 | W0210413 | High Pressure Coil | 散热管 | TP2-M | 1 | |
| | | | | | | 3 | W0413062 | Rubber Fixing Block | 散热管固定垫 | RUBBER(橡胶) | 2 | |
| | | | | | | 2 | W0409071 | Back High Pressure Coil Pan | 后背蒸发包 | PP | 1 | |
| | | | | | | 1 | W0409078 | Air pressure balance device | 后背蒸发包水封 | ABS | 1 | |
| | | | | | | 序号 | Material code | English Name | Chinese Name | MATERIAL | QUANTITY | Remark |
| 18 | 92321232-430 | Internal liner | 机械室内胆 | SUS430 | 1 | | | | | | | |
| 17 | W0410419 | Left and Right Unit Cold Bridge | 机械室冷桥左右 | P66 | 2 | | | | | | | |
| 16 | W0410588 | Front and Rear Unit Cold Bridge | 机械室冷桥前后 | P66 | 2 | | | | | | | |
| 15 | 92321231 | Housing of the machine set | 机械室外壳 | | 1 | | | | | | | |
| 14 | W0210415 | Low Pressure Coil Back to Comp | 回气管(B) | TP2-M | 1 | | | | | | | |
| 13 | W0210774 | Connecting Coil | 连接管(散热管-冷凝器) | TP2-M | 1 | | | | | | | |
| 12 | W0210772 | Connecting Coil From Compressor | 连接管(压缩机-散热管) | TP2-M | 1 | | | | | | | |
| 11 | W0203074 | Condenser | 冷凝器 | GI TP2-M | 1 | | | | | | | |
| 10 | W0204101 | Dry Filter | 干燥过滤器 | TP2-M | 1 | | | | | | | |

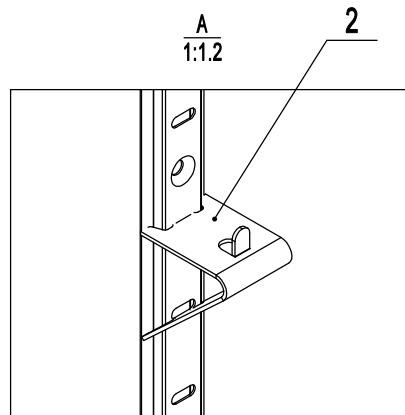
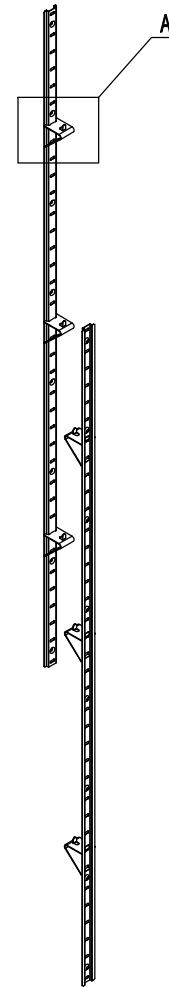
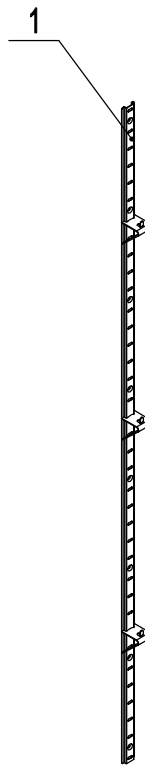
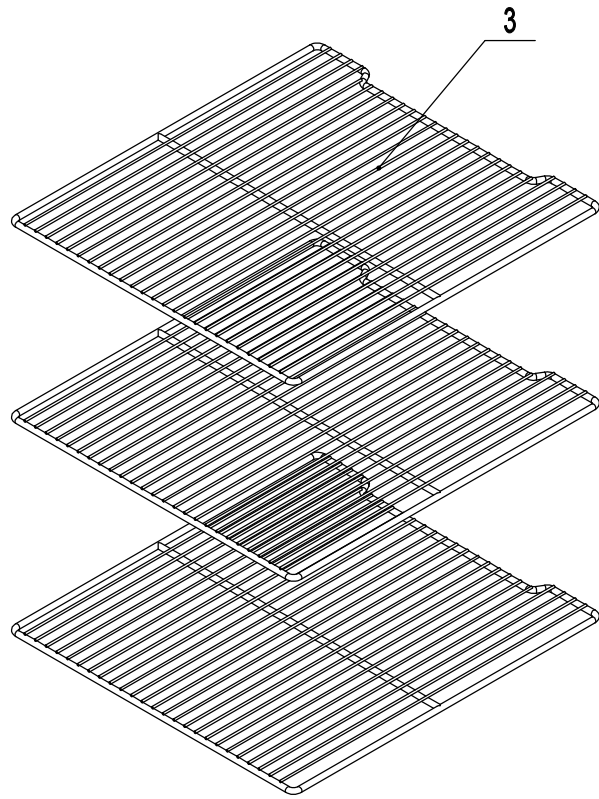
92380105



| | | | | | | |
|----|----------|------------------------|---------|-------|---|--|
| 12 | W0310104 | Cabinet Heater PIPE | 箱体加热带 | GI | 1 | |
| 11 | W0410410 | Left-Right Frame Cover | 箱体左右接口盖 | PVC-H | 4 | |
| 10 | W0410734 | Bottom Frame Cover | 箱体下接口盖 | PVC-H | 1 | |
| 9 | W0410586 | Bottom Frame Cover | 箱体下接口盖 | PVC-H | 1 | |
| 8 | W0410728 | Top Frame Cover | 箱体上接口盖 | PVC-H | 1 | |

| | | | | | | |
|----|---------------|-------------------------|--------------|----------|----------|--------|
| 7 | W0410585 | Top Frame Cover | 箱体上接口盖 | PVC-H | 1 | |
| 6 | 80021403 | Fastener For Top Panel | 上单板下加固件 | SUS430 | 2 | |
| 5 | 92351821 | Top Short Fixing Rack | 箱体横向固定架 | GI | 1 | |
| 4 | 92301802 | Top Long Fixing Rack | 箱体横向固定架 | GI | 2 | |
| 3 | 11451502 | Middle Side Panel Frame | 箱体中支撑架 | GI | 2 | |
| 2 | 11451501 | Side Panel Frame | 箱体支撑架 | GI | 4 | |
| 1 | 92040906 | Top Side Panel | 箱体上侧板 | SUS430 | 2 | |
| 序号 | Material code | English Name | Chinese Name | MATERIAL | QUANTITY | Remark |

92380106

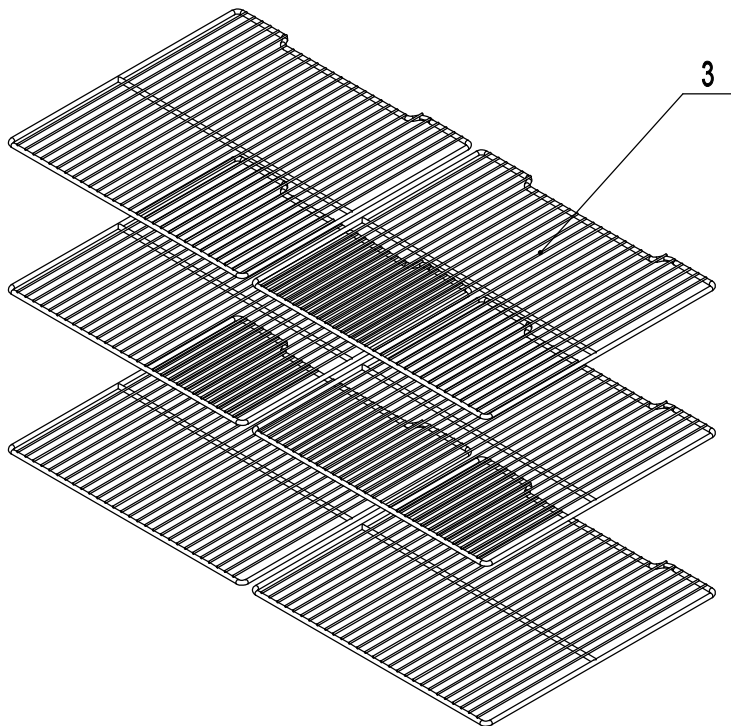
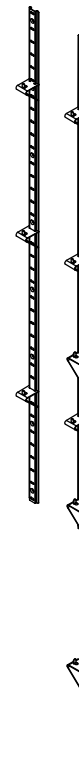
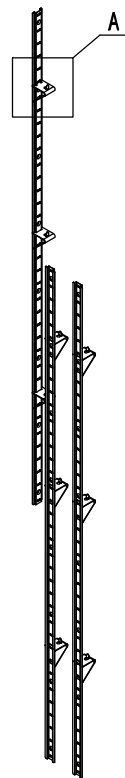
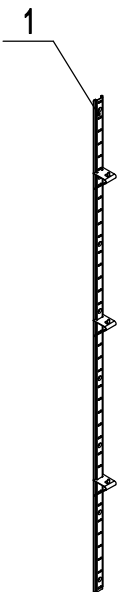
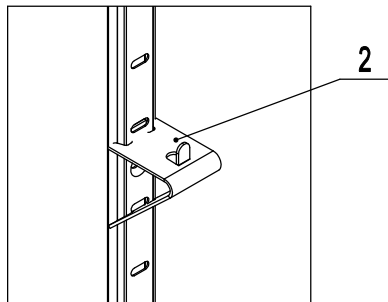


A
1:1.2

| | | | | | | |
|----|---------------|--------------------|--------------|----------|----------|--------|
| 3 | W0402590 | Shelf | 食品架 | | 3 | |
| 2 | 66490313 | Shelf Support Clip | 食品架搁脚 | SUS430 | 12 | |
| 1 | 80037410 | Pilaster For Shelf | 食品架隔条 | SUS430 | 4 | |
| 序号 | Material code | English Name | Chinese Name | MATERIAL | QUANTITY | Remark |

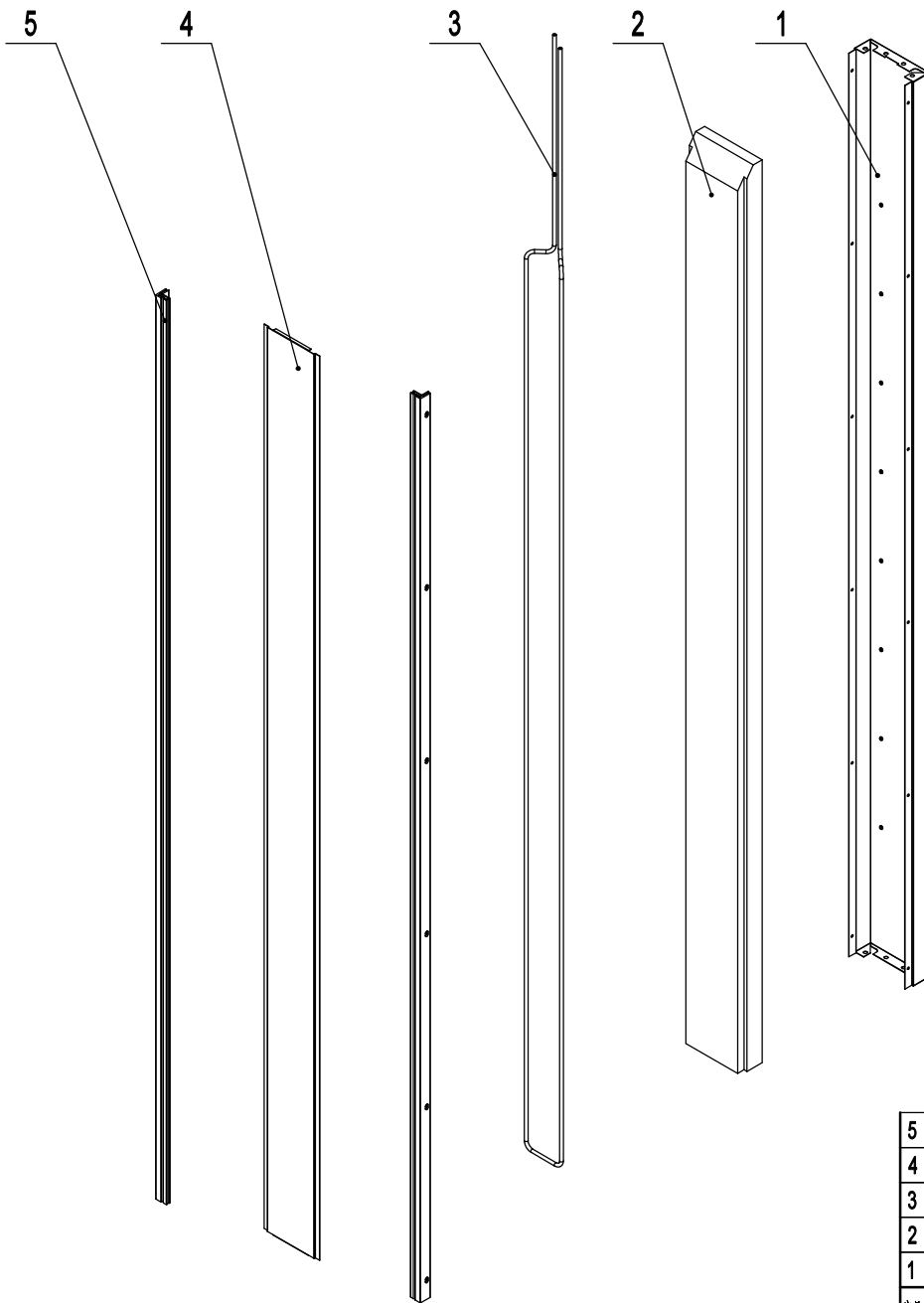
92380206

A
1:1.6



| | | | | | | |
|----|---------------|--------------------|--------------|----------|----------|--------|
| 3 | W0402583 | Shelf | 食品架 | | 6 | |
| 2 | 66490313 | Shelf Support Clip | 食品架搁脚 | SUS430 | 24 | |
| 1 | 80037410 | Pilaster For Shelf | 食品架隔条 | SUS430 | 8 | |
| 序号 | Material code | English Name | Chinese Name | MATERIAL | QUANTITY | Remark |

92380107



| | | | | | | |
|----|---------------|---------------------------|--------------|----------|----------|--------|
| 5 | W04101035 | Mullion Plastic Connector | 竖中梁接口 | PVC-H | 2 | |
| 4 | 92181121-430 | Mullion Front Cover | 竖中梁前盖板 | SUS430 | 1 | |
| 3 | W0310111 | Mullion Heater Pipe | 中梁加热带 | | 1 | 220V |
| 2 | W0499094 | Mullion Foam | 竖中梁泡沫 | EPS | 1 | |
| 1 | 92181120-430 | Mullion Back Cover | 竖中梁后盖板 | SUS430 | 1 | |
| 序号 | Material code | English Name | Chinese Name | MATERIAL | QUANTITY | Remark |

80108276

4

3

2

1

A

B

C

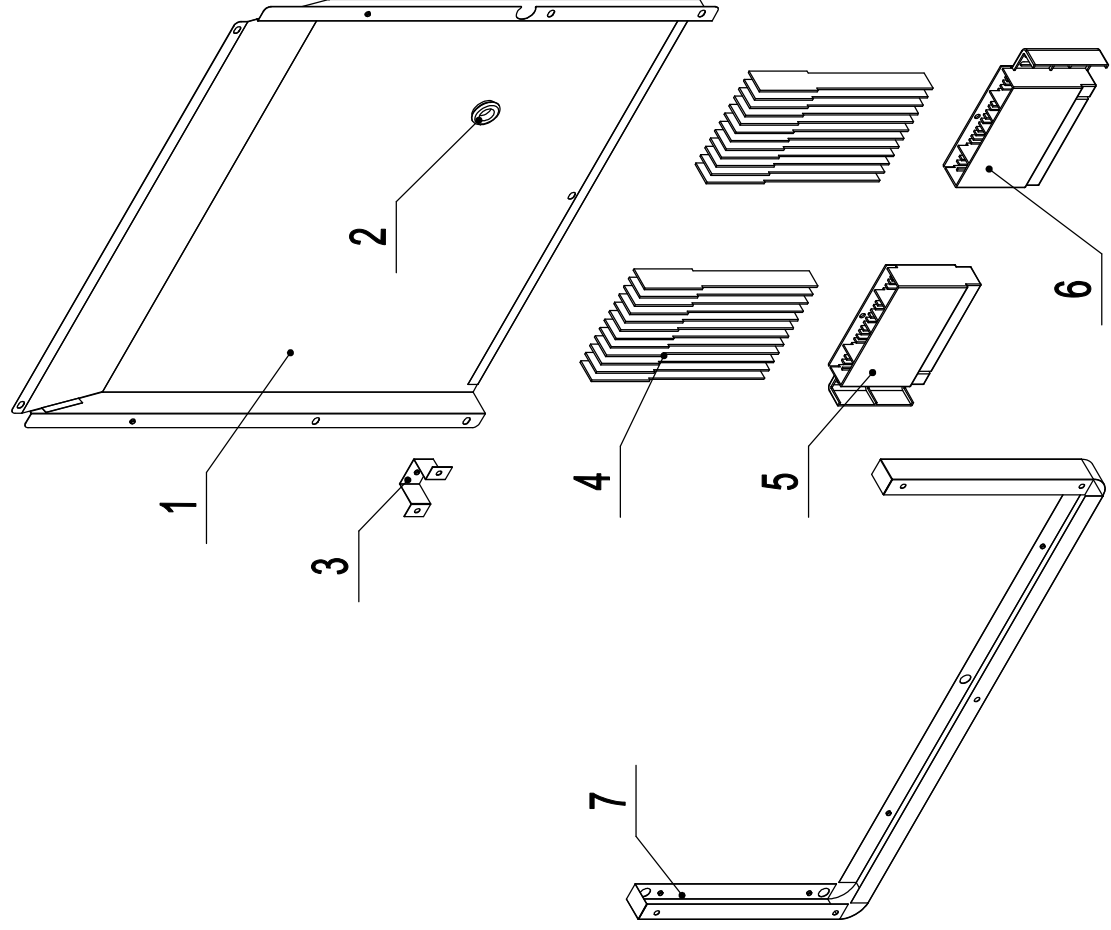
D

A

B

C

D



| | | | | | | |
|---|----------|---------------------------------------|--------------|--------------|----------|-----------------|
| 7 | 92041821 | Side fixing plate for Air deflector | 蒸发包固定件 | | 1 | |
| 6 | W0409086 | Left bracket for Absorbent paper | 左吸水纸支架 | | 1 | |
| 5 | W0409087 | Right bracket for Absorbent paper | 右吸水纸支架 | | 1 | |
| 4 | W0499920 | Absorbent paper | 吸水纸 | | 24 | |
| 3 | 80011814 | Middle fixing plate for Air deflector | 蒸发包导风板固定件 | | 1 | |
| 2 | W0413019 | Rubber sleeve | 橡胶套 (护线圈) | | 1 | |
| 1 | 92130931 | Air deflector | 蒸发包导风板 | | 1 | |
| | 材料 | Material code | English Name | Chinese Name | MATERIAL | QUANTITY Remark |
| | | | | | | 4 |

1

2

3

4